

Process Controller 2504

Compact Process Controller in Switch Board Size 48x96 mm for Standard Control Applications.

- Analogue, thermocouple and Pt100-input
- Switching (2- or 3-step) or analogue output
- Alarm output
- 24 V transmitter supply
- Self-tuning function for determination of control parameters

Electrical Data

Power supply	110/220 V \pm 20%, 50/60 Hz
Power consumption	6 VA

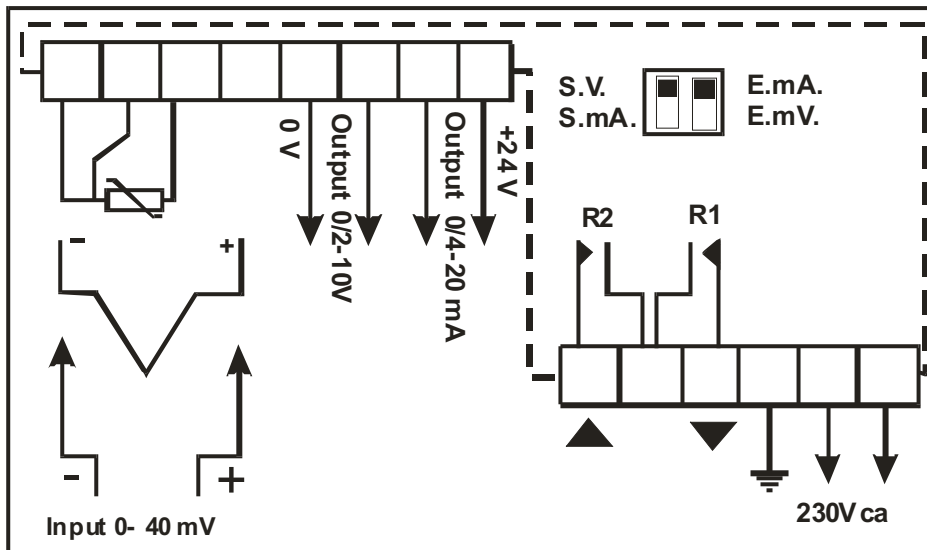
Input Signals

Pt 100 (3-wire)	-100/+400 °C
Thermocouple type J	0 - 600 °C
Thermocouple type K	0 - 1200 °C
Thermocouple type S	0 - 1600 °C
Analogue input 0 - 40 mV or 0/4 - 20 mA 24 VDC supply for 4 - 20 mA transmitters	Free scaling of display range -999 ... 9999

Control Functions, Output Signals

2-step control with alarm
3-step control (without feedback, without alarm)
Analogue control 0/4 - 20 mA or 0/2 - 10 V with alarm





Mechanical Data

Size	Front plate 48 x 96 mm acc. DIN
Weight	600 g
Length	140 mm (with connections)
Casing	metal, anodised aluminium
Front and back plate	Polycarbonate
Protection class front plate	IP 54
Protection class back plate	IP 20
Adm. Ambient temperature	0 to 45°C
Max. operating humidity	0 to 80 % rel., no condensation